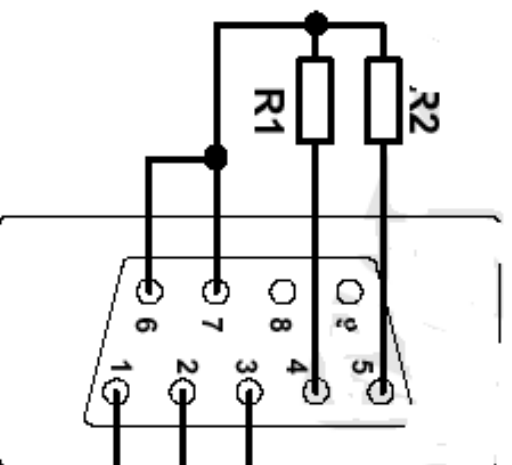


9 Way D Type Plug

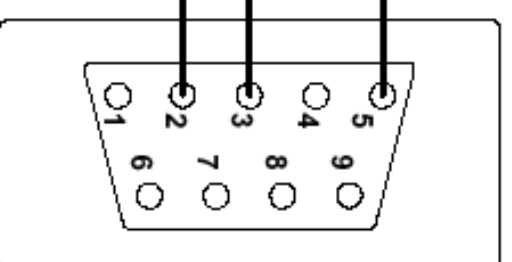
(Farnell 105-681 - plug
Farnell 463-050 - shell)



500mm Coiled Lead (Farnell 151-202)

9 Way D Type Socket

(Farnell 105-684 - socket
Farnell 463-050 - shell)



Yellow / Green

Blue

Brown

R1 = 1k, 0.1%, 0.25W, RC55 (Farnell 339-179)

R2 = 1k05, 0.1%, 0.25W, RC55 (Farnell 339-192)

PC End